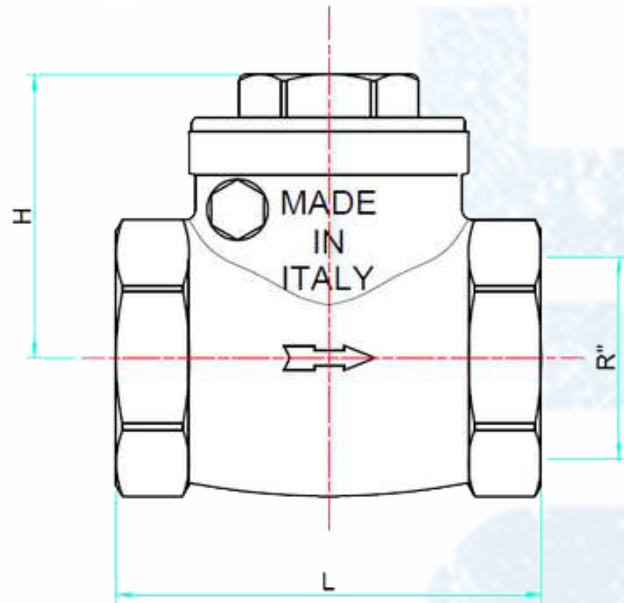


Art. RA405



| R'' | L | H | PN |
|--------|-----|-----|----|
| 1/2" | 48 | 33 | 10 |
| 3/4" | 58 | 42 | 10 |
| 1" | 70 | 46 | 10 |
| 1" 1/4 | 81 | 55 | 10 |
| 1" 1/2 | 88 | 63 | 10 |
| 2" | 100 | 66 | 10 |
| 2" 1/2 | 120 | 80 | 10 |
| 3" | 134 | 90 | 10 |
| 4" | 160 | 103 | 10 |
| 5" | 206 | 118 | 10 |
| 6" | 235 | 134 | 10 |

Materiali

CORPO

1/2" => 2"

Ottone CW617N UNI-EN 12164

2" 1/2 => 4":

Ottone CW617N UNI-EN 12165

5" => 6"

Bronzo CC491K UNI-EN 1982:2000

TAPPO

1/2":

Ottone CW617N UNI-EN 12164

3/4" => 6":

Ottone CW617N UNI-EN 12165

O-RING

NBR

BATTENTE

Ottone CW617N UNI-EN 12165

FINITURA

Sabbiata

405

GUARNIZIONE BATTENTE

NEOPRENE

Materials

BODY

1/2" => 2"

Brass CW617N UNI-EN 12164

2" 1/2 => 4":

Brass CW617N UNI-EN 12165

5" => 6"

Bronze CC491K UNI-EN 1982:2000

PLUG

1/2":

Brass CW617N UNI-EN 12164

3/4" => 6":

Brass CW617N UNI-EN 12165

O-RING

NBR

OBTURATOR

Brass CW617N UNI-EN 12165

FINISHING

Sandblasted

405

OBTURATOR'S GASKET

NEOPRENE

